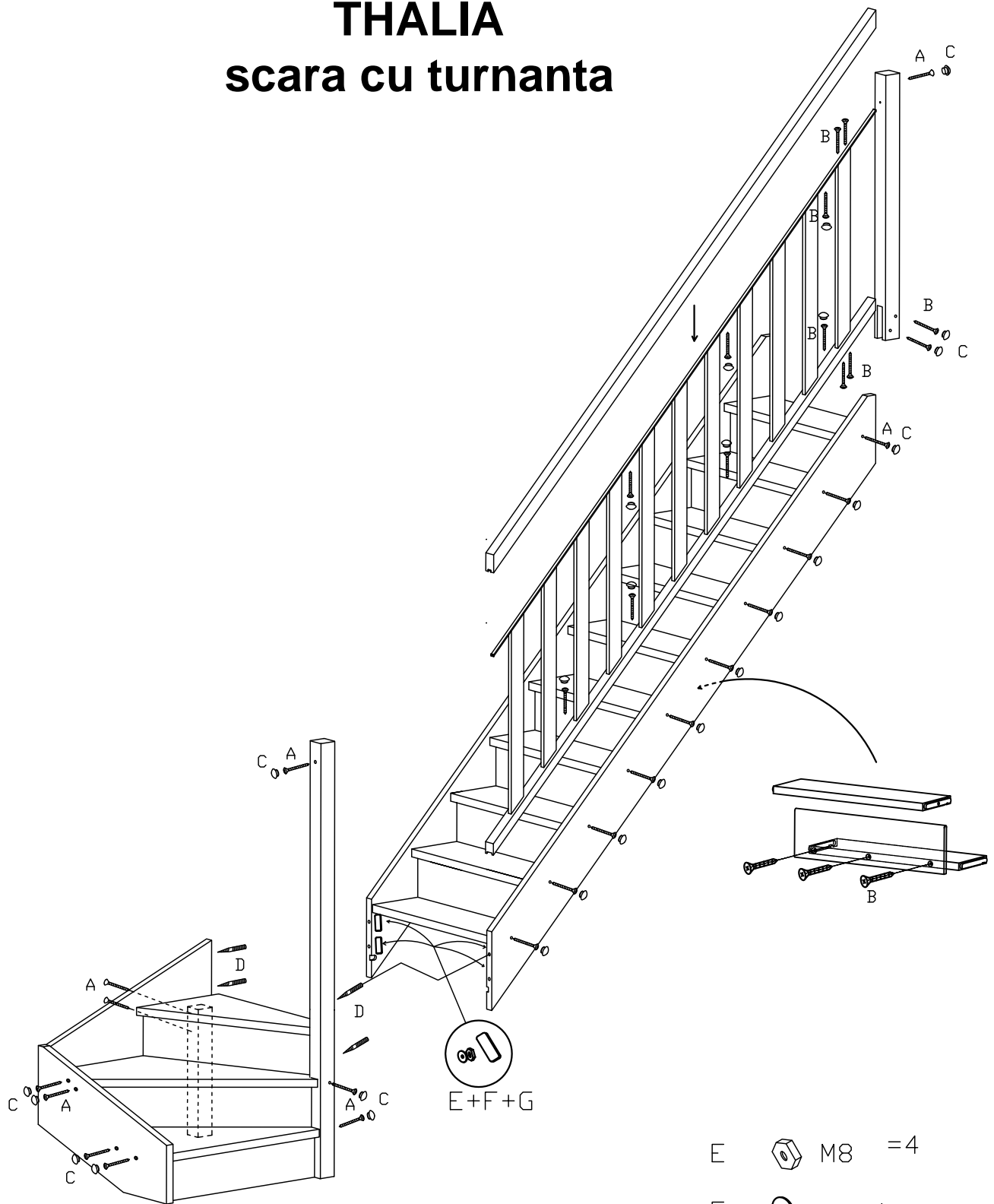




THALIA


scara cu turnanta



A  5x60mm =38

C  Ø12 =41

E  M8 =4

B  4x40mm =84

D  M8X100mm =4

F  =4

G  =4